

OPTICAL INDICATION

PWR - red LED -
RxD - yellow LED -

power supply
receive



MINI serie

TECHNICAL PARAMETERS

maximal transfer rate	460 kb/s
maximal recommended line length	1 200 m
galvanic separation	1 kV
overvoltage (soft) protection – line RS485	600W/1ms
overvoltage (soft) protection – power supply	600W/1ms
power supply polarity inversion protection	diode
selectable terminator	120 Ω
connector RS232	D-SUB 9 pin F
connector RS485	screw
connector power supply	plug 1.3mm or screw
power supply	12V DC ±10%
power consumption	max 0.8 W
operating temperature	0 to 70 °C
storage temperature	-40 to 100 °C
dimensions (l x h x b)	58 x 17 x 56 mm



WARRANTY CONDITIONS

ComErgon provides full warranty of 24 month for serial interface module **MINI 2.4/485** starting on the day of purchase.

The warranty is except for the cases in which the functioning of the module has been affected by faulty manipulation, natural catastrophes or other external factors.

MINI 2.4/485

isolated converter

RS 232 ↔ RS 485



phone: +421-2- 4488 9090
fax.: +421-2- 4487 3525

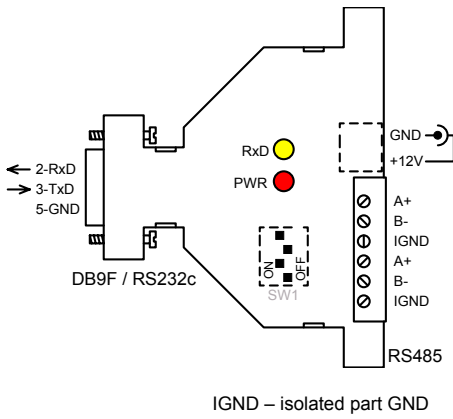
Cachticka 23, 831 06 Bratislava
Slovak Republic
e-mail: service@comergon.sk
http: www.comergon.sk



LAYOUT OF SWITCH AND CONNECTORS

RS232 side

RS485 side



STANDARD SETTING

transmitter control RS485
 receiver control RS485
 terminator

by signal TxD
 inverse to transmitter control
 120 Ω + pull up, down

SELECTION OF OPERATING MODES – SW1

SW1	TRANSMITTER	RECEIVER CONTROL
1 - ON	TxD	iverse to TxD
1 - OFF	TxD	permanent
SW1 – TERMINATOR, HOLD LINE		
2	ON	terminator 120 Ω
3	ON	hold line – pull up
4	ON	hold line – pull down

RS485 LINE CONFIGURATION – SW1

