

## TECHNICAL DATA

supported transfer mode - selectable

max. transfer rate

max. recommended line length

selectable terminator

galvanic isolation

connector RS232c

connector RS485, RS422

connector power supply

overvoltage (soft) protection – RS485/RS422

overvoltage (soft) protection – supply

power supply

power consumption

dimensions

RS485 - half duplex

RS422 - full duplex

controlled RS422

4-wire RS485

460 kb/s

1 200 m

120  $\Omega$

1kV

D-SUB 9 pin F

screw

plug 1.3mm

or screw

300W/1ms

600W/1ms

12V DC +/-10%

max 1W

58 x 17 x 56 mm



MINI serie



## CONDITIONS OF WARRANTY

ComErgon Ltd. provides full warranty of 24 month for serial interface module MINI 2.5/485 starting on the day of purchase.

The warranty is except for the cases in which the functioning of the module has been affected by faulty manipulation, natural catastrophes or other external factors.



phone: +421-2-4488 9090  
fax.: +421-2-4487 3525

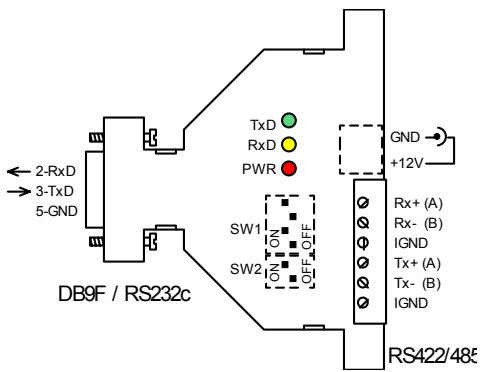
Cachtická 23, 831 06 Bratislava  
Slovak Republic  
e-mail: [service@comergon.sk](mailto:service@comergon.sk)  
[http: www.comergon.sk](http://www.comergon.sk)



## LAYOUT OF SWITCH AND CONNECTORS

RS232 side

RS485/RS422 side



### STANDARD SETTING

transmitter control RS485  
receiver control RS485  
terminator

by signal TxD  
inverse to transmitter control  
120 Ω + pull up, down

### OPTICAL INDICATION

**PWR** - red LED  
**RxD** - yellow LED  
**TxD** - green LED

power supply  
receive data  
transmit data

## SW2 – MODE OF TRANSFER

SW2 – 1 ON, 2 ON  
SW2 – 1 OFF, 2 OFF

RS485 (A, B)  
RS422 (Tx+, Tx-, Rx+, Rx-)

## SW1 – SELECTION OF OPERATING MODES

SW1	TRANSMITTER	RECEIVER CONTROL
1 - ON	TxD	inverse to TxD
1 - OFF	TxD	permanent
<b>SW1 – TERMINATOR, HOLD LINE</b>		
2	ON	terminator 120 Ω
3	ON	hold line – pull up
4	ON	hold line – pull down

## RS485/RS422 LINE CONFIGURATION – SW1, SW2

