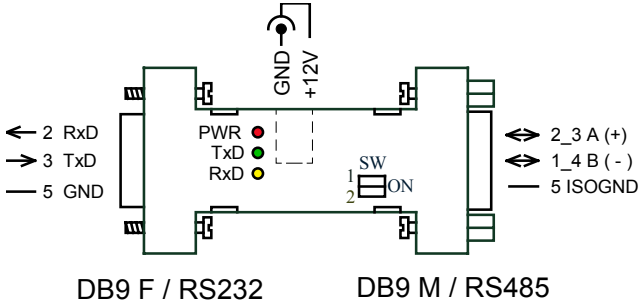
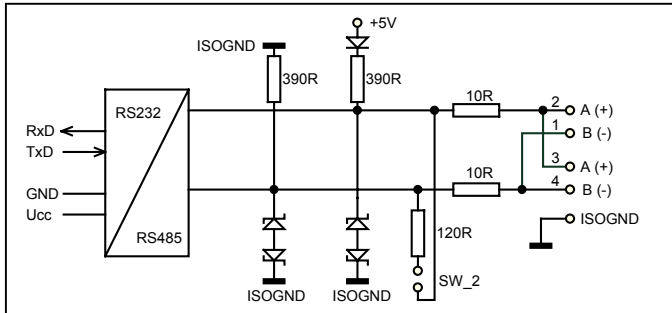


LAYOUT



SW	1 – OFF	receiver control - permanent
	1 – ON	receiver control - inverse to transmitter control
	2 – OFF	terminator disconnected
	2 – ON	terminator connected

RS485 LINE CONFIGURATION



WARRANTY CONDITIONS

ComErgon provides full warranty of 24 month for serial interface module MINI 2.6/485 starting on the day of purchase. The warranty is except for the cases in which the functioning of the module has been affected by faulty manipulation, natural catastrophes or other external factors.



COMERAGON

MINI serie

MINI 2.6/485

isolated converter

RS 232 - RS 485

TECHNICAL DATA

transfer mode	RS485 - half duplex
transfer rate	115 kb/s
selectable receiver control	permanent or inverse to transmitter
supported signals	RxD, TxD
max. recommended line length	1 200 m
galvanical isolation	1 kV
selectable terminator	120 R
connector RS232	D-SUB 9 pin F
connector RS485	D-SUB 9 pin M
connector power supply	plug 1.3mm
optical indication	RxD, TxD, PWR
overvoltage (soft) protection - RS485	300W/8µs
overvoltage (soft) protection – power supply	600W/10µs
power supply	+12V DC ±10%
power consumption	max 1W
dimension	63 x 17 x 34 mm

COMERAGON Ltd.

Cachticka 23, 831 06 Bratislava
Slovak Republic

tel.: +421-2- 4488 9090
tel./ fax.: +421-2- 4487 3525

e-mail: service@comergon.sk
http: www.comergon.sk