

TECHNICAL SPECIFICATION

max transfer rate	115 kb/s
max guaranteed transfer rate	19 kb/s
max recommended length of the cable	2 500 m
galvanic separation – CL side	1 kV
overvoltage (soft) protection – CL line	600W/1ms
overvoltage (soft) protection – power supply	diode
power supply polarity inversion protection	RJ-45
connector RS232c	RJ-12
connector CL	4
number of independent channels	red PWR
optical indication - LED	yellow RxD
	green TxD
power supply	+9 to +30V DC
power consumption	max 4 W
dimensions	134 x 50 x 95 mm

IMPORTANT NOTICE

It is necessary to ensure for the same channel that transmitter and receiver are not set both to active mode (if in one communicating channel is transmitter set to active mode, the corresponding receiver must be set to passive mode and vice versa).



tel.: +421-2-4488 9090
tel./ fax.: +421-2-4487 3525

Cachticka 23, 831 06 Bratislava
Slovak Republic

e-mail: service@comergon.sk
http: www.comergon.sk

MULTI 4xCL

isolated converter
RS 232 - Current Loop
4 independent channels

BASIC INFORMATION

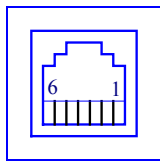
MULTI 4xCL is 4-channel converter of serial interface RS232 to CL (Current Loop) 0 -20mA with full galvanic separation of transmitter and receiver in active and passive modes. This means that both communicating devices as well as the communication line are galvanically separated from each other. This allows to attain high operating reliability of the whole communication path as well as reliable protection of the connected devices from potential damage and distortion-free data transmission.

After dismounting the top part of the plastic cover it is possible to choose from the basic operating modes by means of jumpers.

MULTI 4xCL is powered by external power supply 9 to 30 V DC and it has built-in protection against power supply polarity inversion.

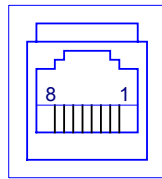
INPUT/OUTPUT CONNECTOR ASSIGNMENT

CL side – RJ12



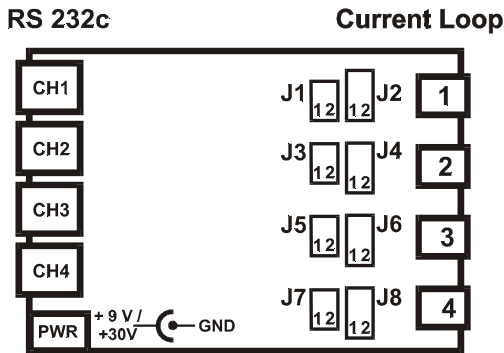
- 2 (-) TxD
- 3 (+) TxD
- 4 (+) RxD
- 5 (-) RxD

RS232 side – RJ45



- 4 RxD (IN)
- 5 TxD (OUT)
- 6 GND

JUMPERS AND CONNECTORS LAYOUT



CONNECTING CABLE WIRING

module 1		module 2	
pin		pin	
SIMPLEX			
(Tx -) 2	→	5 (Rx -)	
(Tx +) 3	→	4 (Rx +)	
FULL DUPLEX			
(Tx -) 2	→	5 (Rx -)	
(Tx +) 3	→	4 (Rx +)	
(Rx -) 5	←	2 (Tx -)	
(Rx +) 4	←	3 (Tx +)	

OPERATING MODES SELECTION

FULL DUPLEX		
JUMPER	PIN	FUNCTION
J2 (J4, J6, J8)	1-2, 3-5, 6-8	active
transmitter	4 – 6, 5 - 7	passive
J1 (J3, J5, J7)	1-2, 3-4, 5-6	active
receiver	2 - 4, 3 - 5	passive

J1, J2 - CHANNEL 1; J3, J4 - CHANNEL 2
 J5, J6 - CHANNEL 3; J7, J8 - CHANNEL 4

STANDARD SETTING

transmitter active
 receiver passive

Note

It is necessary to ensure for the same channel that transmitter and receiver are not set both to active mode.