

TECHNICAL DATA

max. transfer rate	5 Mb/s
max. FO line length	1 700 m/ 62,5µm/ST
connector FO	ST (SMA, SC, FC)
connector RS422/485	RJ45
RS422/RS485 isolation	1 kV
selectable terminator	120 Ohm
transfer mode	half duplex – RS485 full duplex – RS422 „controlled RS422“ „4-wire RS485“
number of channels	max 12
power supply	100 - 230V AC
power consumption	max 15 W
overvoltage (soft) protection RS422/485	600W/1ms
overvoltage (soft) protection supply	600W/1ms
optical indication (LED)	red PWR yellow RxD green TxD
dimension - 1U	480 x 44 x 270mm

**CONDITIONS OF WARRANTY**

ComErgon Ltd. provides full warranty of 24 month for serial interface module MULTI starting on the day of purchase.

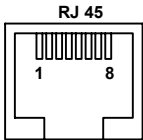
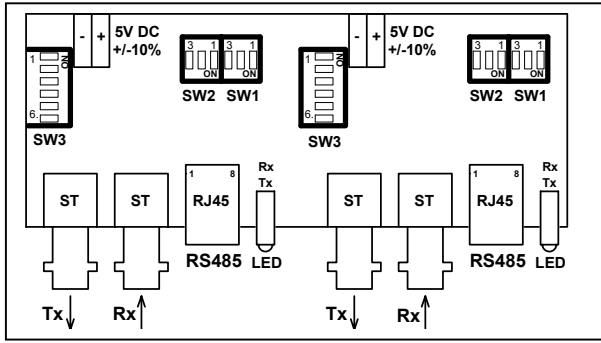
The warranty is except for the cases in which the functioning of the module has been affected by faulty manipulation, natural catastrophes or other external factors.



Cachticka 23
831 06 Bratislava
Slovak Republic

tel.: +421-2-4488 9090
tel / fax.: +421-2-4487 3525
e-mail: service@comergon.sk
[http: www.comergon.sk](http://www.comergon.sk)

LAYOUT



RJ45	RS422	RS485
3	Tx -	
4	Rx -	B
5	Rx+	A
6	Tx+	
7	ISOGND	ISOGND

STANDARD SETTING

mode of transfer
 enable transmitter control RS485/422
 transmitter control
 transmission to fiber optic
 terminator
 receiver fiber optic
 transmitter fiber optic
 hold line (pull-up, down)

RS485 – half duplex
enable
by signal TxD
without echo
120 Ω
normal
normal
connected

MODE SETTING

	POSITION	MODE	FUNCTION
SW1	1 OFF	RS485 & RS422 terminator	-
	1 ON	for receiver	120 Ohm
	2 OFF	hold line for receiver -	disconnected
	2 ON	- pull up	connected
	3 OFF	hold line for receiver -	disconnected
	3 ON	- pull down	connected
SW2	1 OFF	RS422 - terminator	-
	1 ON	for transmitter	120 Ohm
	2 OFF	hold line for transmitter -	disconnected
	2 ON	- pull up - only RS422	connected
	3 OFF	hold line for transmitter -	disconnected
	3 ON	- pull down - only RS422	connected
SW3	1 OFF	enable transmitter control	enable
	1 ON	for RS485/422	third state
	2 OFF	RS422 - full duplex *	mode RS422
	2 ON	RS485 - half	mode RS485
	3 OFF	transmitter control	by signal TxD
	3 ON		permanent
	4 OFF	transmission to fiber optic	permanent+echo
	4 ON		without echo
	5 OFF	receiver fiber optic	normal
	5 ON		invert
	6 OFF	transmitter fiber optic	normal
	6 ON		invert

* for mode RS422 full duplex set SW3 position 4 to OFF