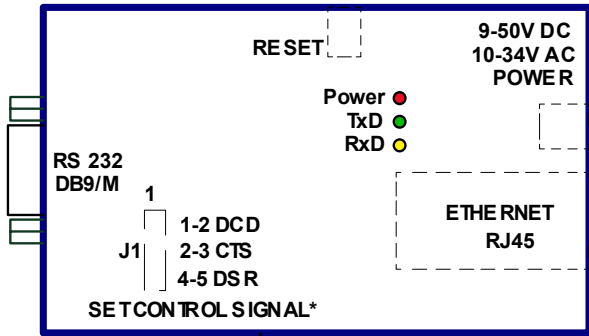
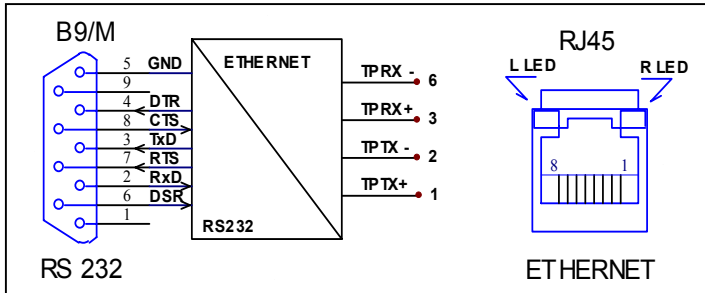


LAYOUT



CONNECTORS



CONDITIONS OF WARRANTY

ComErgon provides full warranty of 24 month for serial interface module PRO 4.0/232 starting on the day of purchase.

The warranty is except for the cases in which the functioning of the module has been affected by faulty manipulation, natural catastrophes or other external factors.

Note: Default IP address: 0.0.0.0, change IP address by DeviceInstaller on the CD

Default port: 10 001, valid range 1025-9998, 10000-13999, 14010-30703 a 30719-65535



COMERGON

PRO serie

PRO 4.0/232

converter

RS 232 - Ethernet

TECHNICAL DATA

protocol	TCP, IP, UDP, ARP, ICMP, Ethernet MAC Telnet TFTP, AutoIP, DHCP, HTTP, SNMP
network interface	10/100 Base-T Ethernet Ver.2.0/IEEE802.3
serial port	RS 232 - full duplex
data format	8N1, 8O1, 8E1, 7O1 7E1 8N2, 8O2, 8E2, 7O2 7E2
data control	None, XON/XOFF, CTS/RTS
transfer rate	1 200b/s – 115kb/s (option 460/920kb/s)
transferred signals	RxD, TxD + selectable CTS/GPIO0/STATUS1, DCD/GPIO1, RTS/DTR/GPIO2/STATUS3
encryption setting	AES Rijndael option - 128, 192 alebo 256bit Internal web server (384kB), SNMP, Telnet login, serial login
optical indication	RxD, TxD, PWR, 10Mb, 100Mb, half duplex, full duplex
connector supply	plug 1.3mm
supply	9-50V DC, 10-34V AC / max 2W
dimension	95 x 35 x 50 mm

COMERGON

spol. s r.o.

Cachticka 23, 831 06 Bratislava
Slovak Republic

tel.: +421-2- 4488 9090
tel./ fax.: +421-2- 4487 3525

e-mail: service@comergon.sk
http: www.comergon.sk