

TECHNICAL DATA

protocol	TCP, IP, UDP, ARP, ICMP, Ethernet MAC Telnet TFTP, AutoIP, DHCP, HTTP, SNMP
network interface	10/100 Base-T Ethernet Ver.2.0/IEEE802.3
serial port	RS 485 - half duplex RS 422 - full duplex
isolation RS422/RS485	1 kV
transmitter control – mode RS485	by signal TxD
receiver control – mode RS422	permanent
data format	8N1, 8O1, 8E1, 7O1 7E1 8N2, 8O2, 8E2, 7O2 7E2
data control	None, XON/XOFF, CTS/RTS
transfer rate	1 200b/s – 115kb/s (option 460/920kb/s)
transferred signals	RxD, TxD + sealecable CTS/GPIO0/STATUS1, DCD/GPIO1, RTS/DTR/GPIO2/STATUS3
encryption setting	AES Rijndael option - 128, 192 alebo 256bit Internal web server (384kB), SNMP, Telnet login, serial login
optical indication	RxD, TxD, PWR, 10Mb, 100Mb, half duplex, full duplex
connector RS422/RS485	D-SUB 9 pin M
connector Ethernet	RJ45
connector supply	plug 1.3mm
supply	9-50V DC, 10-34V AC
consumption	max 2W
dimension	95 x 35 x 50 mm



CONDITIONS OF WARRANTY

ComErgon provides full warranty of 24 month for serial interface module PRO 4.0/485 starting on the day of purchase. The warranty is except for the cases in which the functioning of the module has been affected by faulty manipulation, natural catastrophes or other external factors.

Note: Default IP address: 0.0.0.0, change IP address by DeviceInstaller on the CD

Default port: 10 001, valid range 1025-9998, 10000-13999, 14010-30703 a 30719-65535



PRO serie

PRO 4.0/485
isolated converter
RS422/RS485 - Ethernet



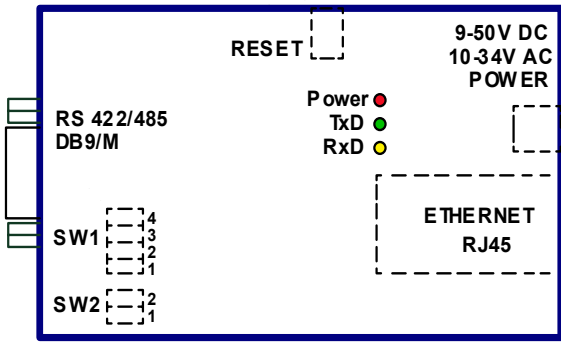
spol. s r.o.

tel.: +421-2- 4488 9090
tel./ fax.: +421-2- 4487 3525

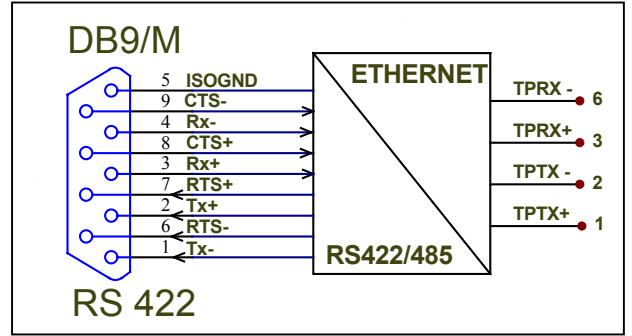
Cachticka 23, 831 06 Bratislava
Slovak Republic

e-mail: service@comergon.sk
http: www.comergon.sk

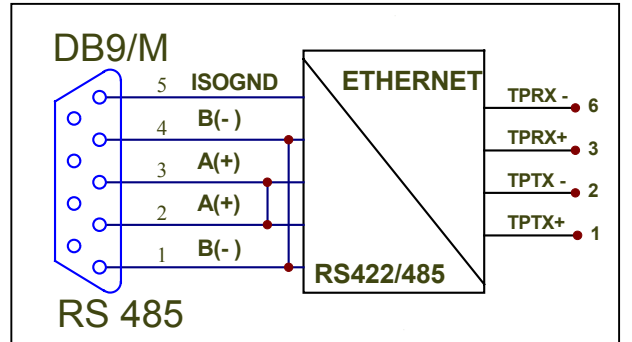
LAYOUT



CONNECTOR – mode RS422 (SW2 - OFF)



CONNECTOR – mode RS485 (SW2 – ON)



MODE SELECT – SW2

SW2 – 1 ON, 2 ON
 SW2 – 1 OFF, 2 OFF

RS 485 (A, B)
 RS 422 (Tx+, Tx-, Rx+, Rx-)

OPERATING MODE SETTING – SW1

SW1	TRANS. CONTROL	RECEIVER CONTROL
1 OFF	TxD	inverse to TxD – RS485
1 ON	permanent	permanent – RS422
SW1 - TERMINATOR, HOLD LINE		
2	ON	terminator 120 R
3	ON	hold line – pull down
4	ON	hold line – pull up

STANDARD SETTING

transfer mode
 transmitter control RS485
 receiver control RS485
 terminator

RS485 – half duplex
 by signal TxD
 inverse to transmitter
 120 R + pull up, down